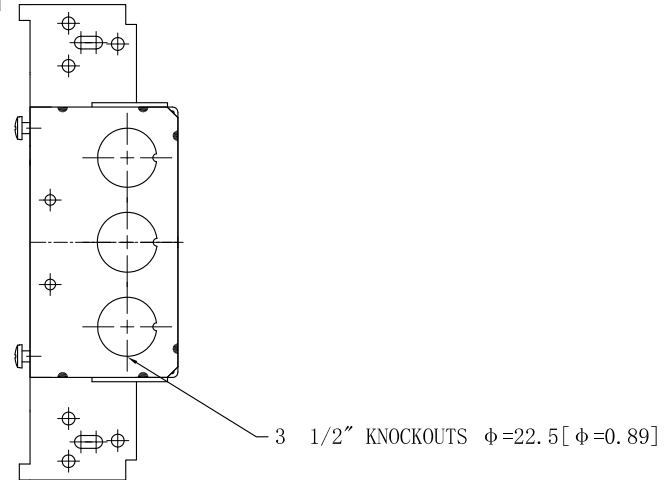
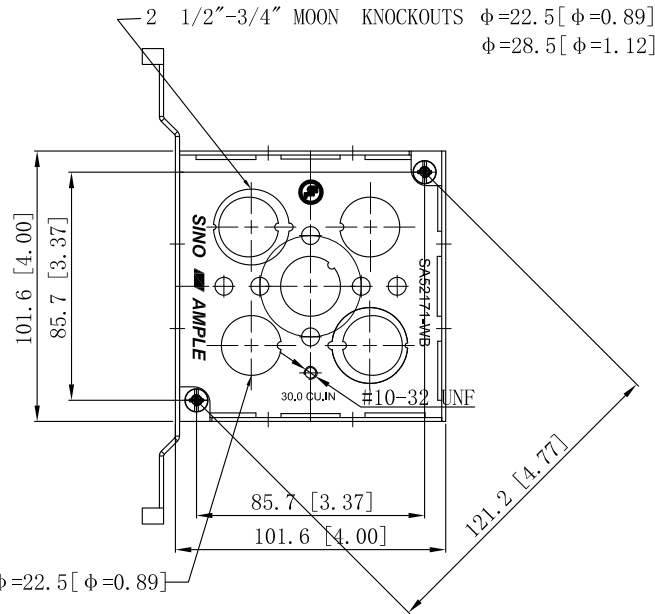
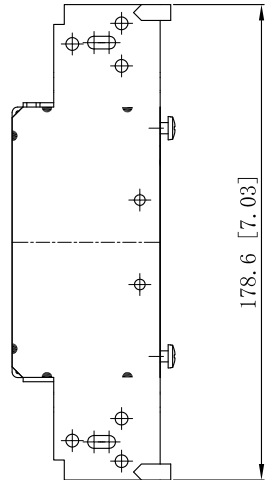
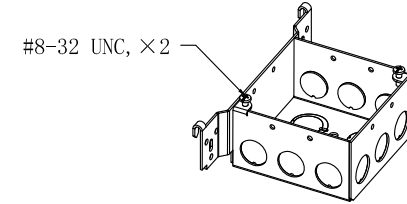
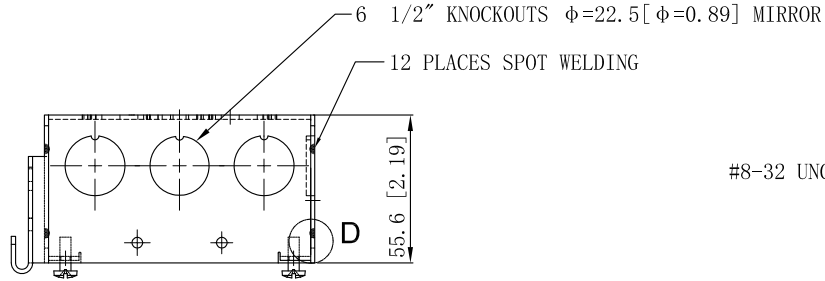


<b>SIDES</b>	<b>BOTTOM</b>
9 1/2" KNOCKOUTS	3 1/2" KNOCKOUTS
	2 1/2"-3/4" MOON KNOCKOUTS
2 PCS 8-32X1/2 Screws Installed	
Material:Steel-0.0625"-G60 Galvanized	



**WELDING STYLE DETAIL VIEW D**



3 1/2" KNOCKOUTS  $\phi=22.5$  [  $\phi=0.89$  ]

This data sheet is for reference only .SINO AMPLE reserves the right to make changes to the design without prior notice.

DESCRIPTION
TRADE REFERENCE TERMS

STANDARD PACKING	ZHUJI SINO AMPLE METAL PRODUCTS CO., LTD.		
	TITLE	4" SQUARE BRACKET BOXES (2-1/8" DEEP)	
25 PCS	SIZE	DWG NO.	SA52171-SWB
	DATA SHEET		REV A