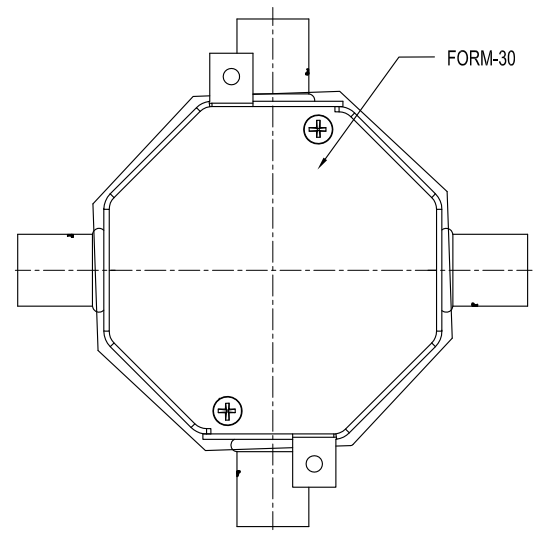
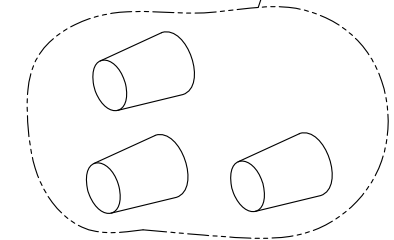
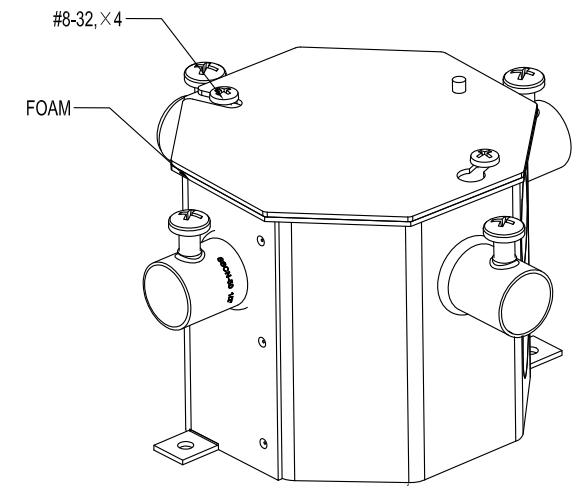
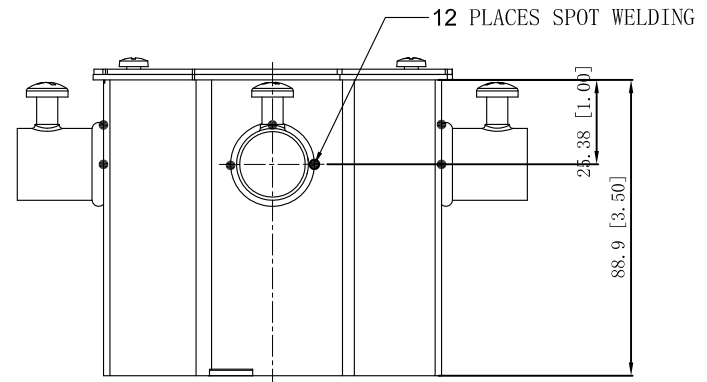
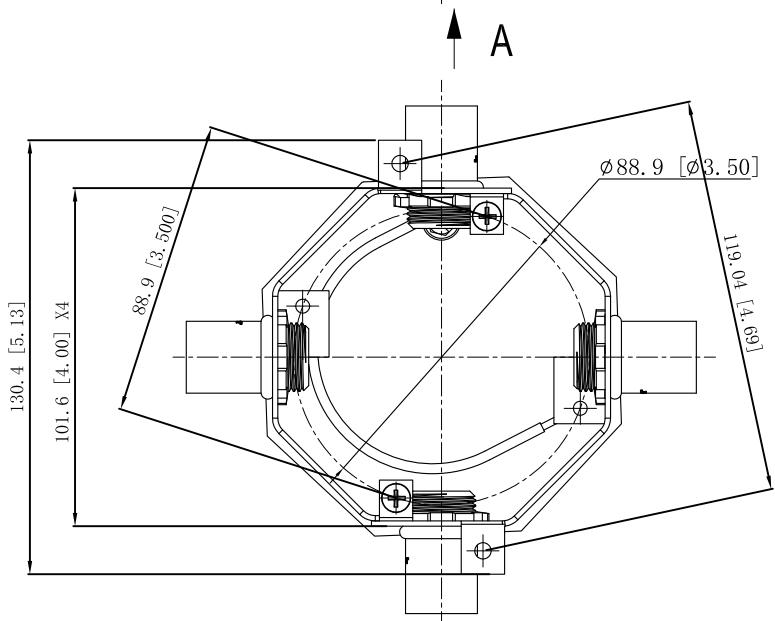


SIDES	BOTTOM
4 1/2" KNOCKOUTS	
4 PCS 8-32×1/2 Screws Installed	
11' Long THHN #12 AWG solid pigtail w/captive #10-32 ground screw	
Material: Steel-0.0625"-G60 Galvanized	



VIEW A



This data sheet is for reference only .SINO AMPLE reserves the right to make changes to the design without prior notice.

DESCRIPTION
TRADE REFERENCE TERMS

STANDARD PACKING
20 PCS

TITLE		
ZHUJI SINO AMPLE METAL PRODUCTS CO., LTD.		
OCTAGON CONCRETE RINGS		
SIZE	DWG NO.	REV
A4	SAOCA35050	A
DATA SHEET		