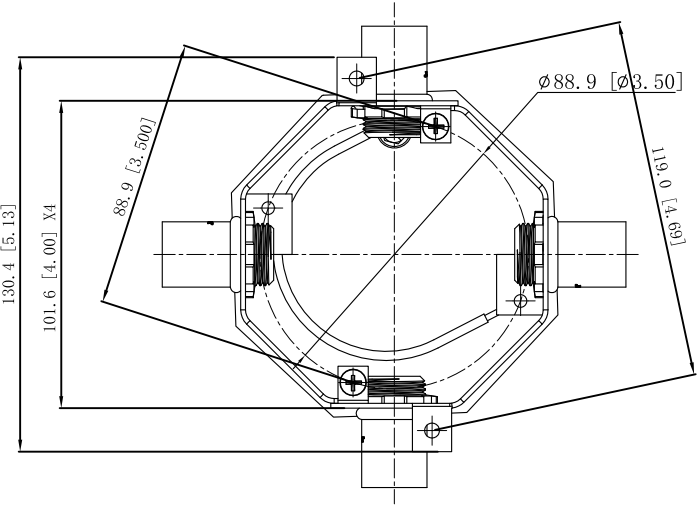
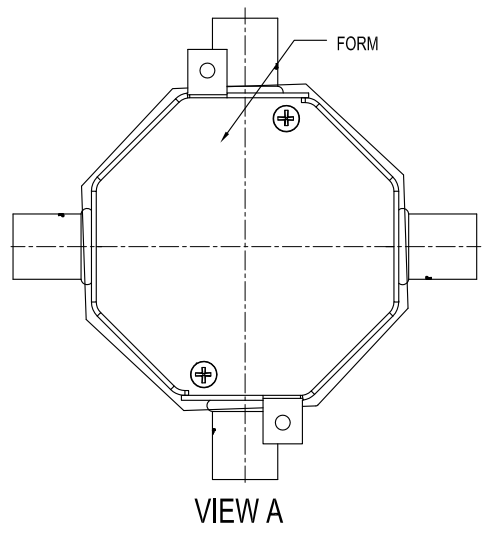
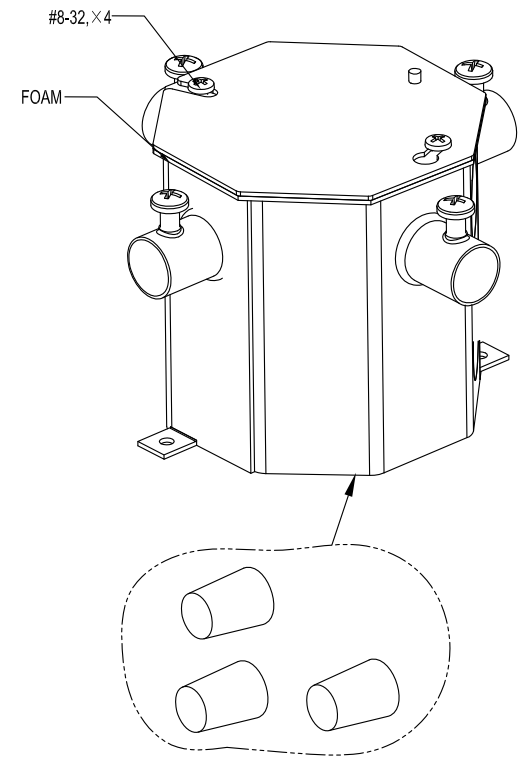
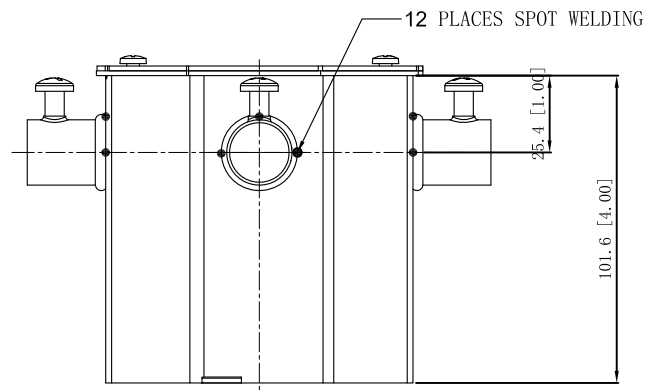


SIDES	BOTTOM
4 1/2" KNOCKOUTS	
4 PCS 8-32×1/2 Screws Installed	
11' Long THHN #12 AWG solid pigtail w/captive #10-32 ground screw	
Material: Steel-0.0625"-G60 Galvanized	



DESCRIPTION
TRADE REFERENCE TERMS

This data sheet is for reference only .SINO AMPLE reserves the right to make changes to the design without prior notice.

STANDARD PACKING	ZHUJI SINO AMPLE METAL PRODUCTS CO., LTD.		
20 PCS	TITLE OCTAGON CONCRETE RINGS		
	SIZE A4	DWG NO. SAOCA40050	REV A
	DATA SHEET		