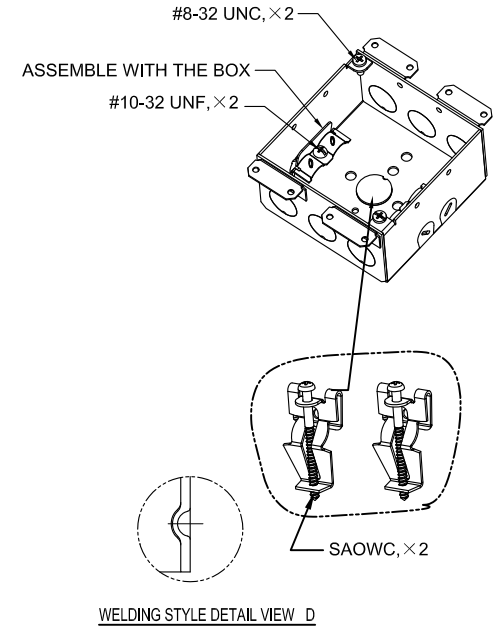
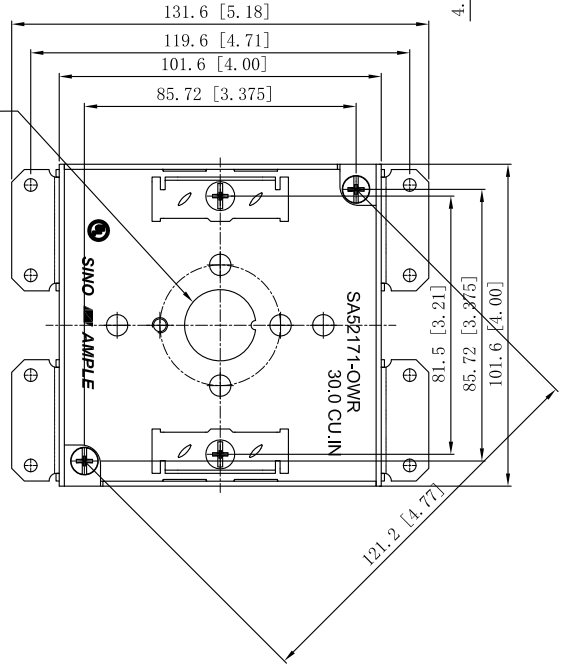
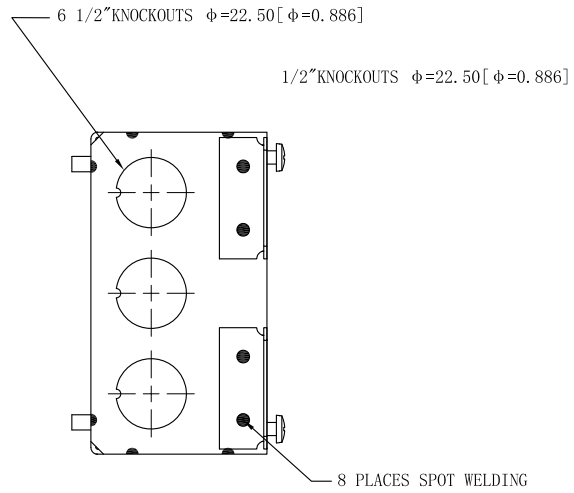
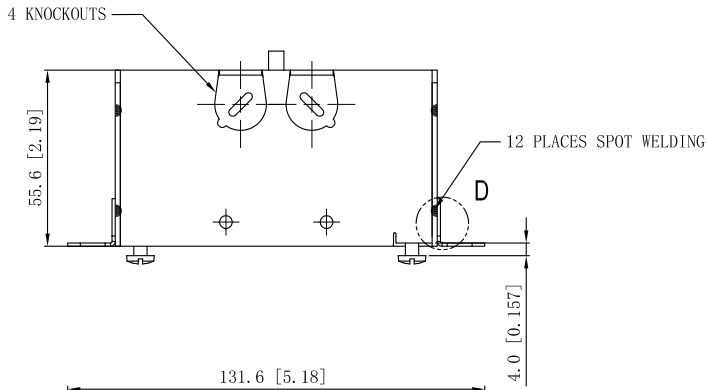


<b>SIDES</b>	<b>BOTTOM</b>
4 KNOCKOUTS	1/2" KNOCKOUTS
2 PCS #8-32×1/2" Screws Installed	
2 PCS 10-32×1" Screws Installed	
Material:Steel-0.0625"-G60 Galvanized	



This data sheet is for reference only. SINO AMPLE reserves the right to make changes to the design without prior notice.

<b>DESCRIPTION</b>
<b>TRADE REFERENCE TERMS</b>

<b>STANDARD PACKING</b>	ZHUJI SINO AMPLE METAL PRODUCTS CO., LTD.		
	TITLE 4" SQUARE BOXES 1-1/2" DEEP		
	SIZE A4	DWG NO. SA52171-OWR	REV A
	DATA SHEET		