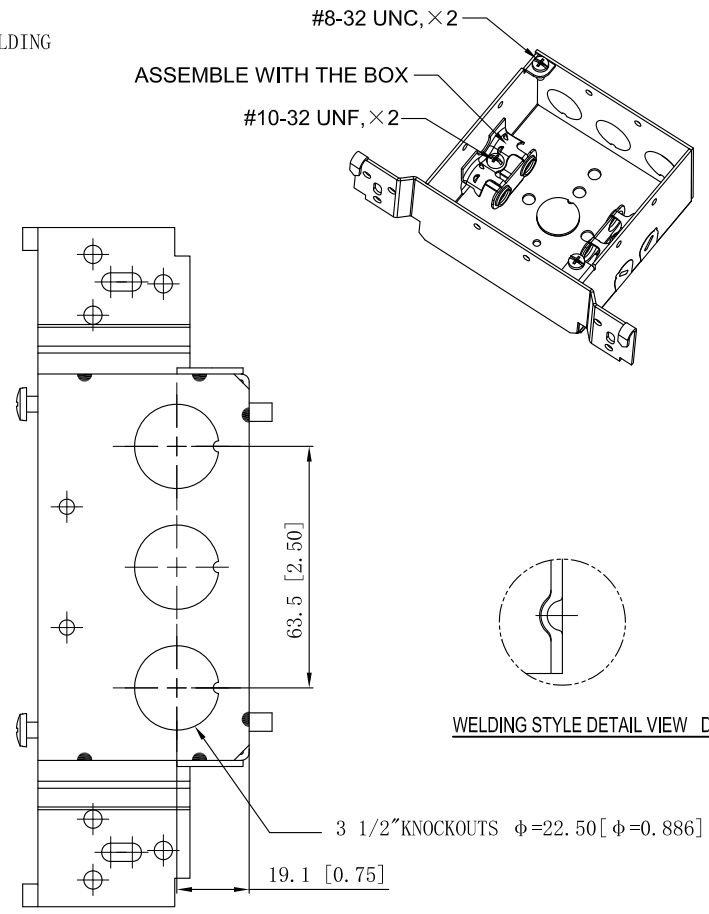
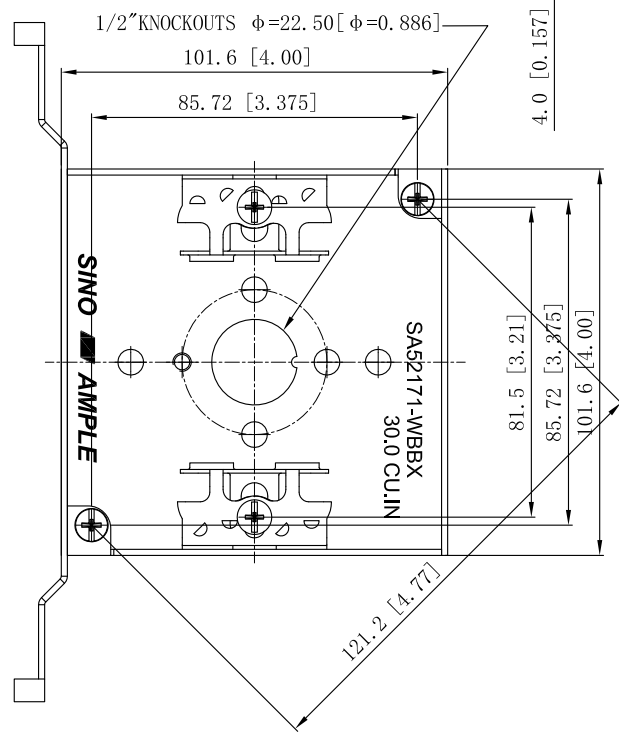
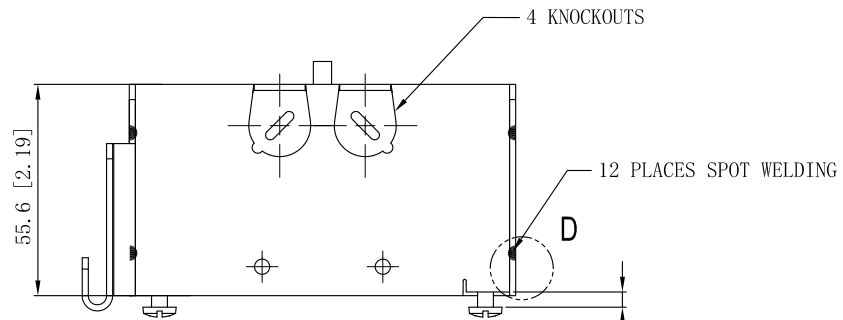
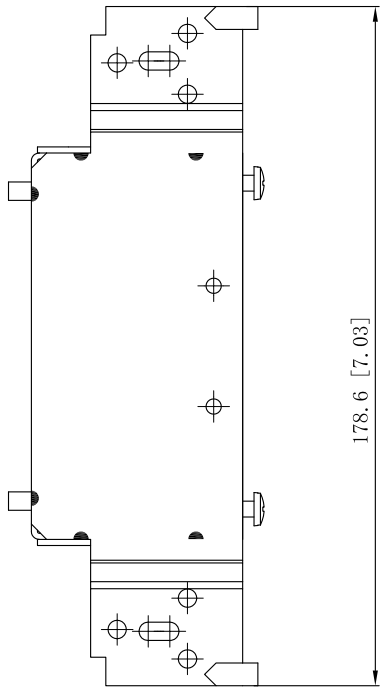


SIDES	BOTTOM
4 KNOCKOUTS	1/2" KNOCKOUTS
3 1/2" KNOCKOUTS	
2 PCS 8-32×1/2 Screws Installed	
2 PCS 10-32×1 Screws Installed	
Material:Steel-0.0625"-G60 Galvanized	



DESCRIPTION
TRADE REFERENCE TERMS

This data sheet is for reference only. SINO AMPLE reserves the right to make changes to the design without prior notice.

STANDARD PACKING	ZHUJI SINO AMPLE METAL PRODUCTS CO., LTD.		
25 PCS	TITLE 4" SQUARE BRACKET BOXES (2-1/8" DEEP)		
	SIZE A4	DWG NO. SA52171-WBBX	REV
DATA SHEET			