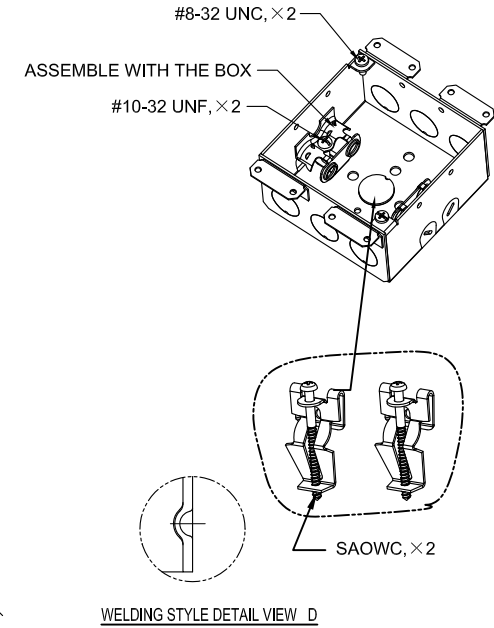
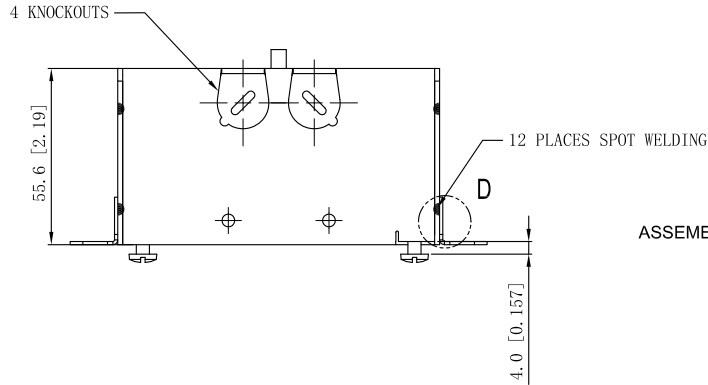
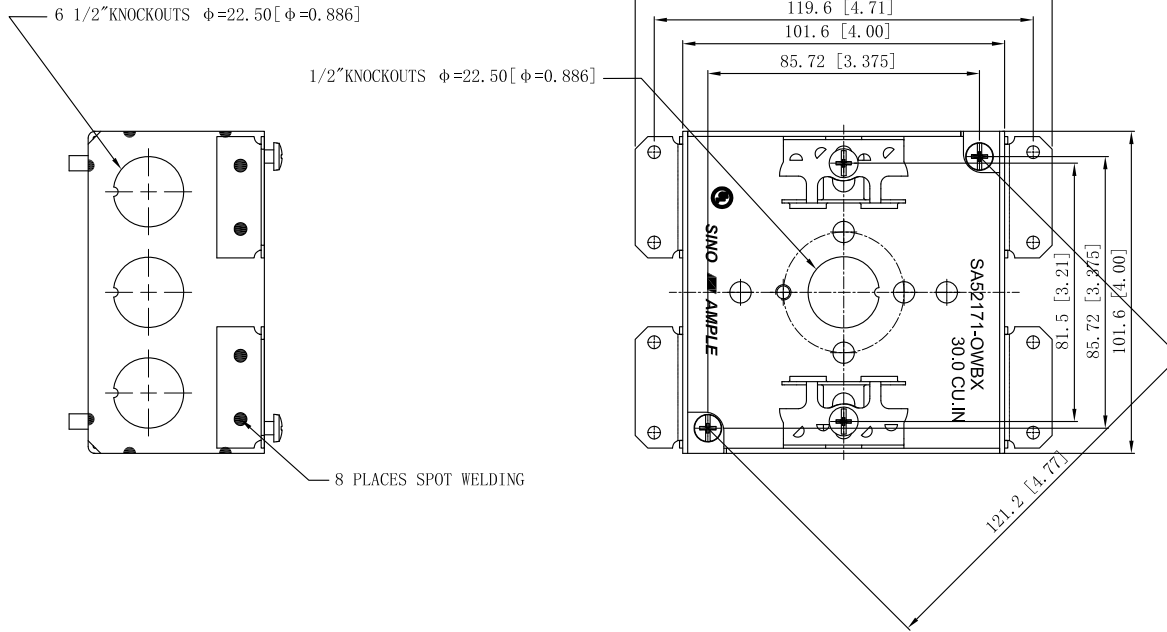


SIDES	BOTTOM
8 1/2" KNOCKOUTS	2 1/2" KNOCKOUTS
2 3/4" KNOCKOUTS	2 3/4" MOON KNOCKOUTS
	1 GROUD HUMP
2 PCS #8-32×1/2" Screws Installed	
2 PCS 10-32×1" Screws Installed	
Material:Steel-0.0625"-G60 Galvanized	



6 1/2" KNOCKOUTS $\phi=22.50$ [$\phi=0.886$]

1/2" KNOCKOUTS $\phi=22.50$ [$\phi=0.886$]



This data sheet is for reference only. SINO AMPLE reserves the right to make changes to the design without prior notice.

DESCRIPTION
TRADE REFERENCE TERMS

STANDARD PACKING	ZHUJI SINO AMPLE METAL PRODUCTS CO., LTD.		
	TITLE 4IN SqBx 2-1/8D BX/MC Clamps		
SIZE A4	DWG NO. SA52171-OWBX	REV A	
DATA SHEET			