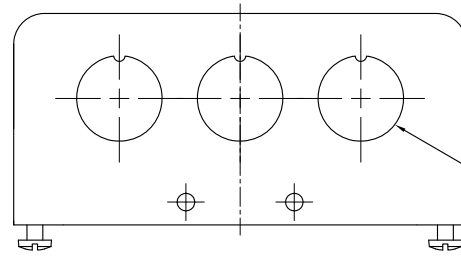
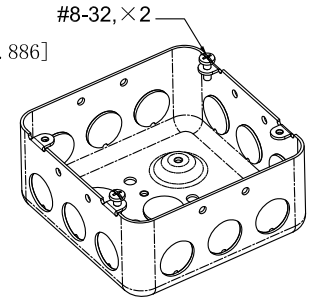


SIDES	BOTTOM
12 1/2" KNOCKOUTS	2 1/2" KNOCKOUTS
	2 3/4" KNOCKOUTS
	1 Ground Hump
2 PCS 8-32x1/2 Screws Installed	
Material: Steel-0.0625"-G60 Galvanized	

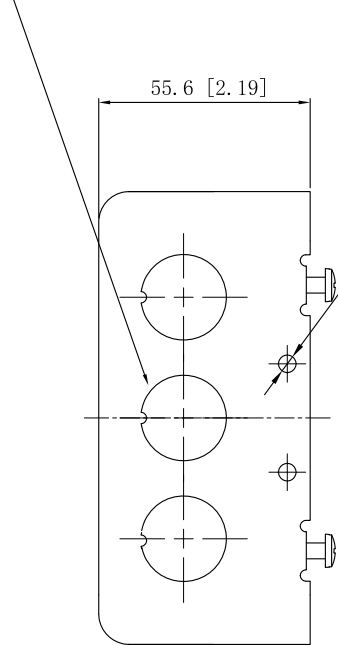


6x1/2" KNOCKOUTS  $\phi=22.50$  [ $\phi=0.886$ ]  
MIRROR



#8-32, x2

6x1/2" KNOCKOUTS  $\phi=22.50$  [ $\phi=0.886$ ]  
MIRROR



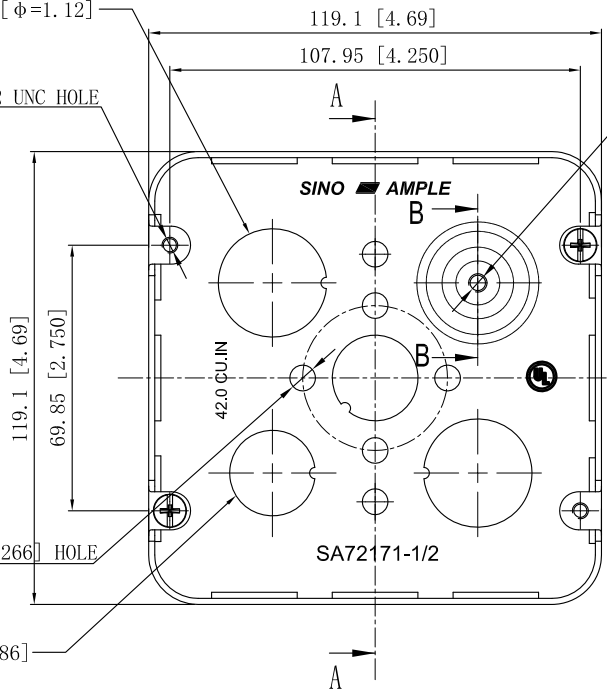
2x3/4" KNOCKOUTS  $\phi=28.5$  [ $\phi=1.12$ ]

4-#8-32 UNC HOLE

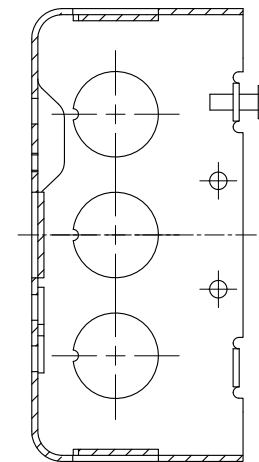
8- $\phi 4.2$  [ $\phi 0.17$ ] HOLE

6- $\phi 6.75$  [ $\phi 0.266$ ] HOLE

2x1/2" KNOCKOUTS  $\phi=22.50$  [ $\phi=0.886$ ]



#10-32 UNF HOLE



CUTAWAY VIEW A-A

This data sheet is for reference only. SINO AMPLE reserves the right to make changes to the design without prior notice.

DESCRIPTION
TRADE REFERENCE TERMS

STANDARD PACKING
25 PCS

ZHUJI SINO AMPLE METAL PRODUCTS CO., LTD.	
TITLE 4-11/16" SQUARE "DRAWN" BOXES (2-1/8" DEEP)	
SIZE A4	DWG NO. SA72171-1/2
DATA SHEET	
REV A	